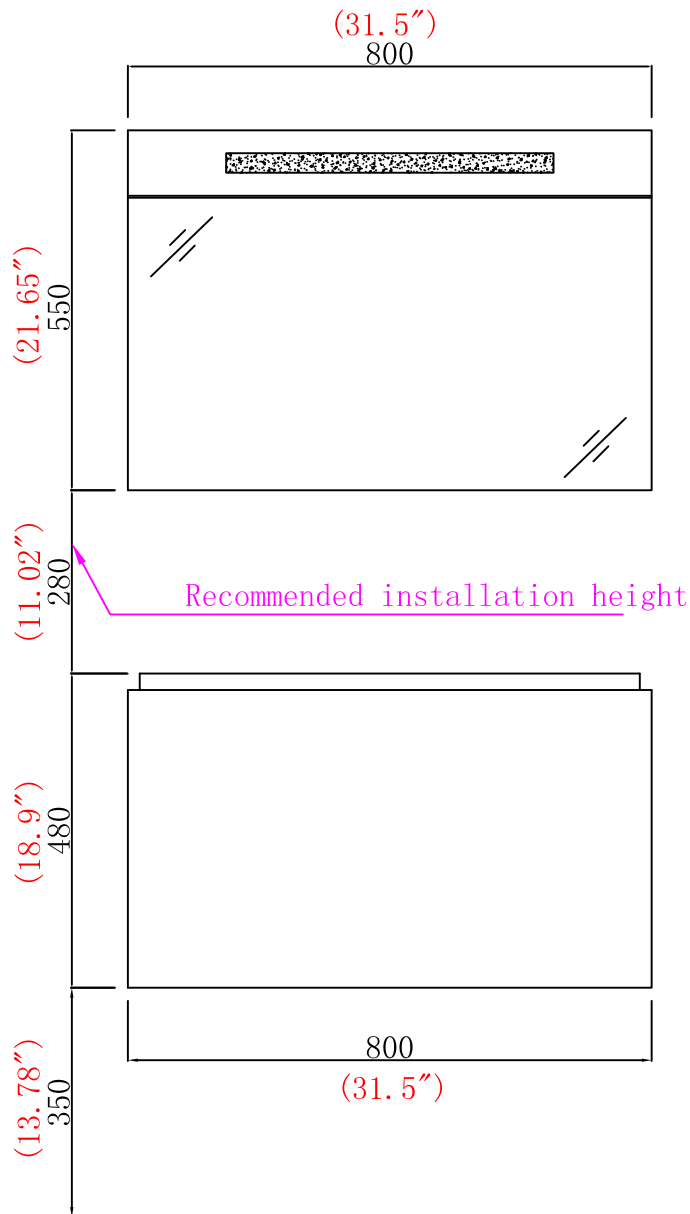

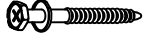



Item No. :LE-31

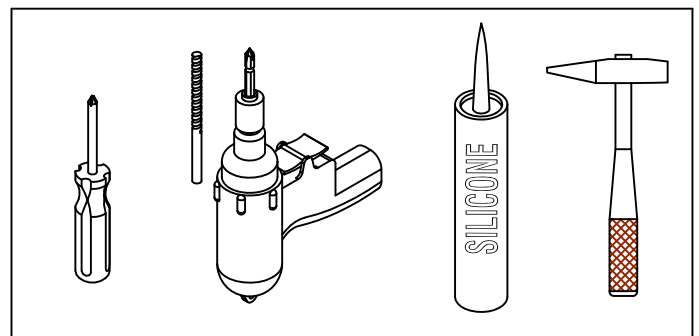


**FLOOR**

## Hardware

NO.	Draw	QTY
A		8
B		8
C		8

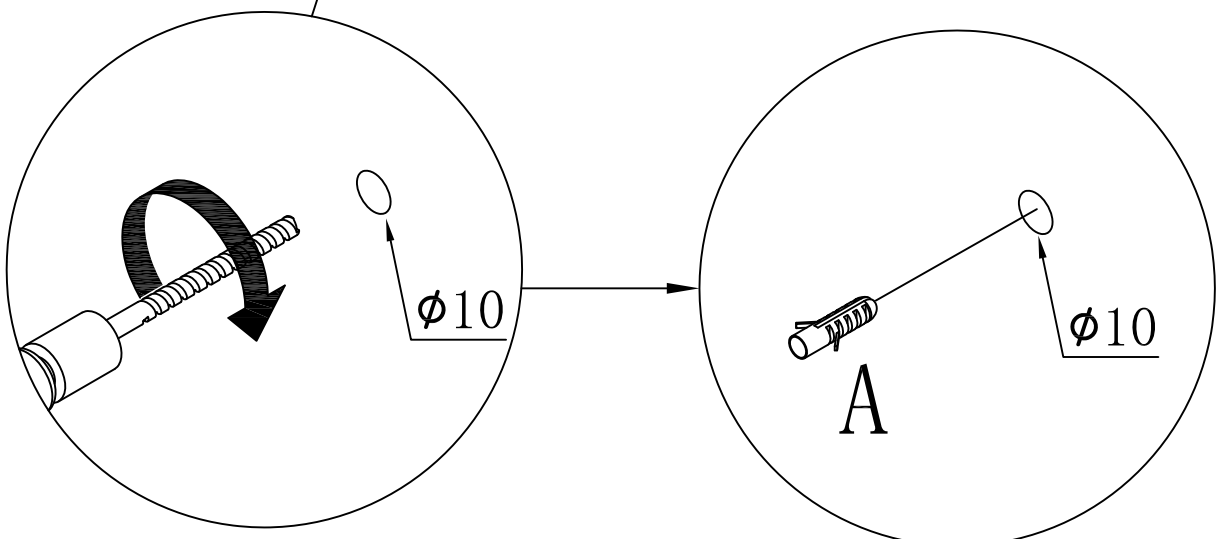
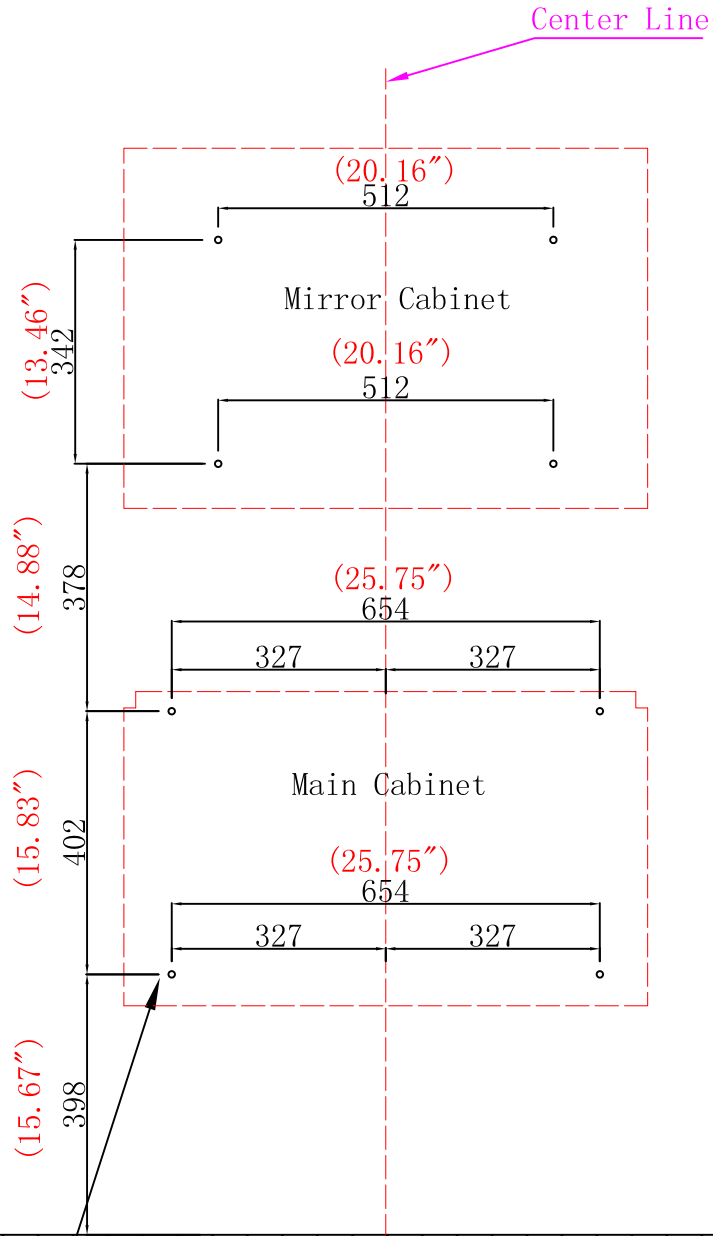
## Tools



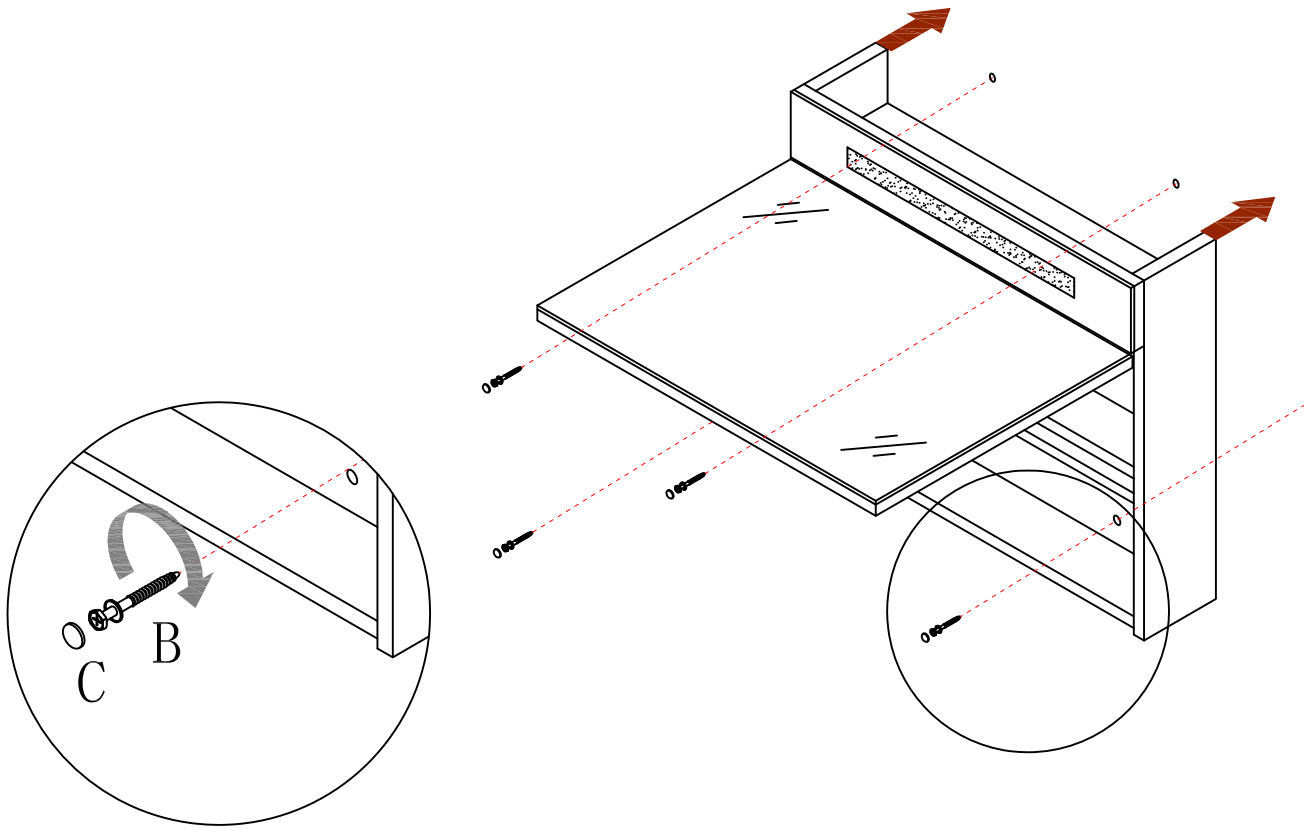
# Step 1

WALL

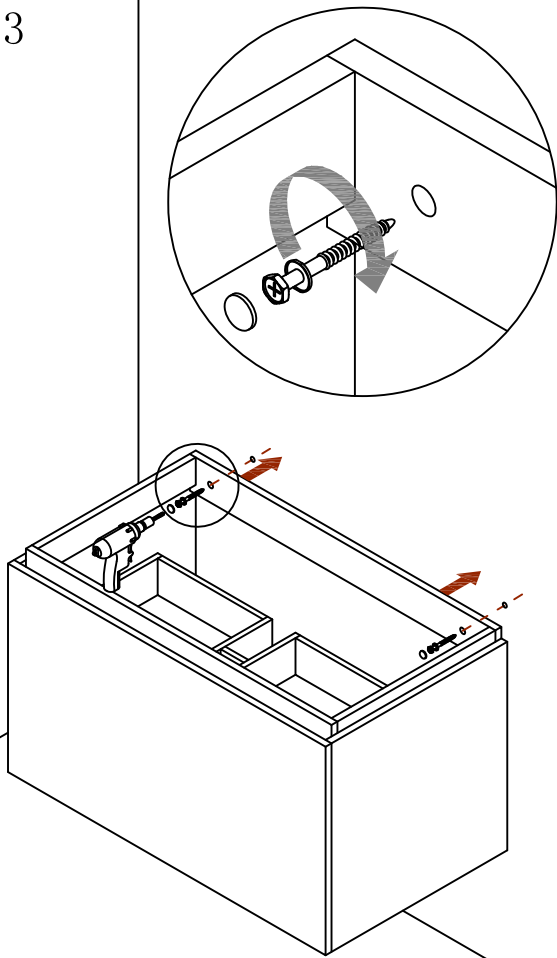
WALL



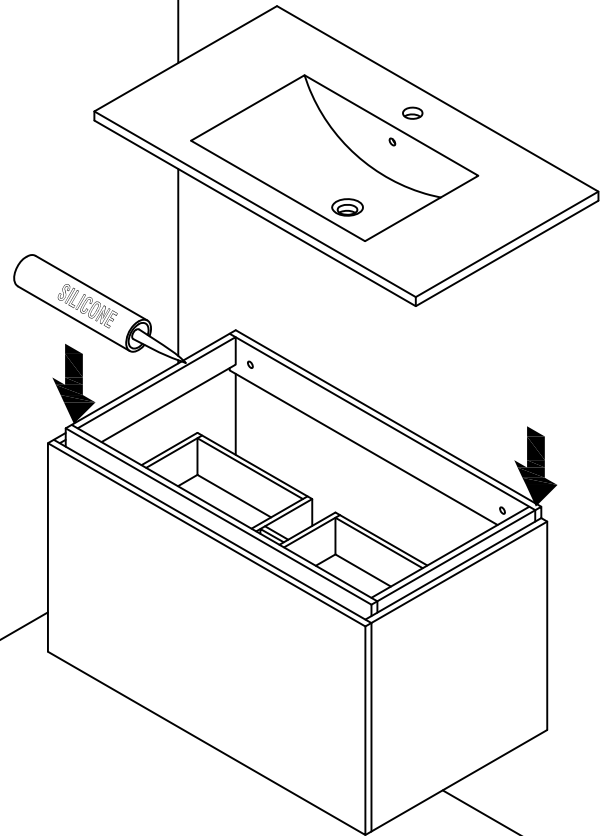
# Step 2



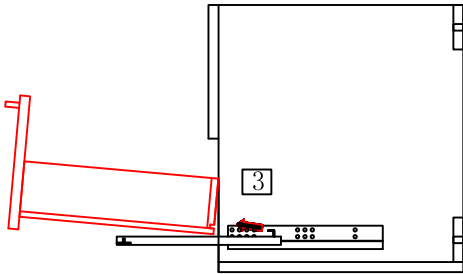
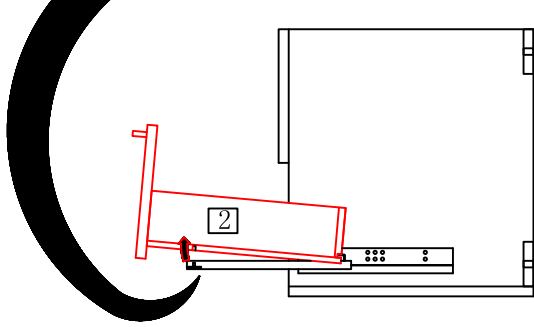
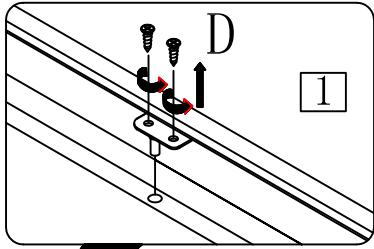
# Step 3



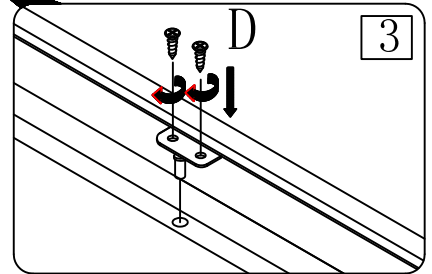
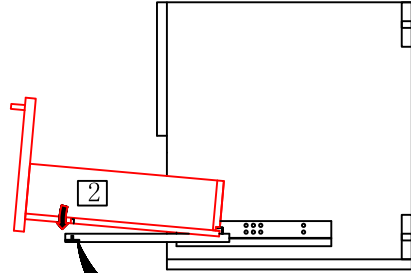
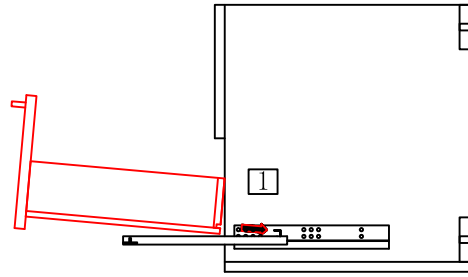
# Step 4



## DRAWER REMOVAL



## DRAWER INSTALLTION



## Step 5

